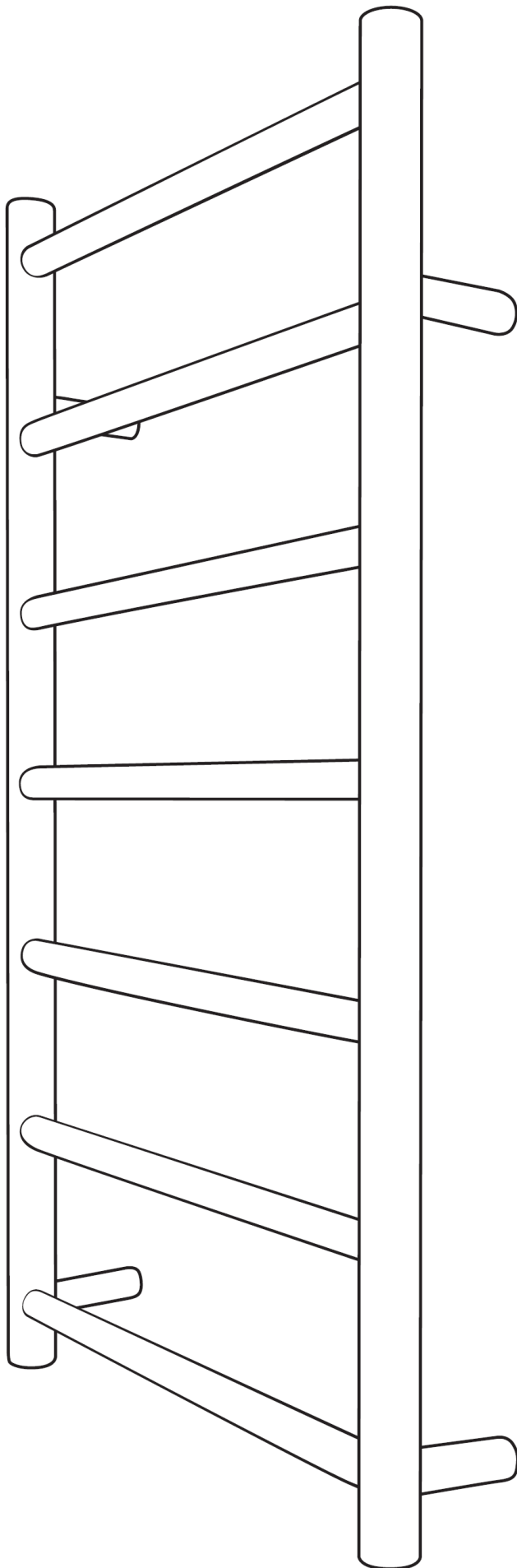


Round Models

Installation & Operating Instructions



**Universal
connect**



**Left or right
cord exit**

Installation Instructions

Please note that this appliance must be installed as prescribed by the relevant wiring rules and regulations, including the regulations covering installation of appliances and accessories in 'wet areas' such as bathrooms, showers and laundries. Installations should be in accordance with AS/NZS 3000:2007.

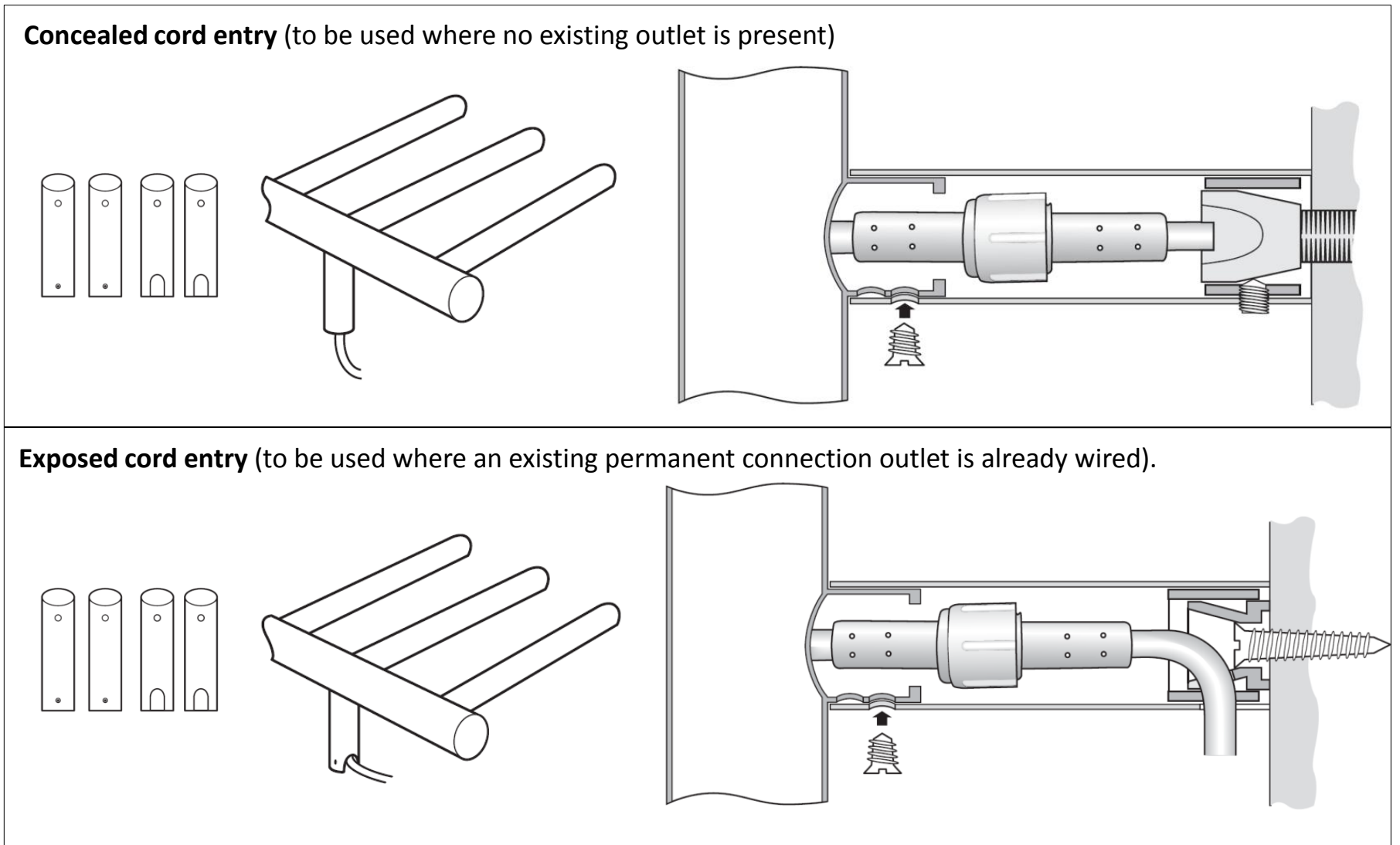
Note :

- This class 1 appliance requires an earth connection.
- An accessible all pole disconnection switch is required in the fixed wiring.

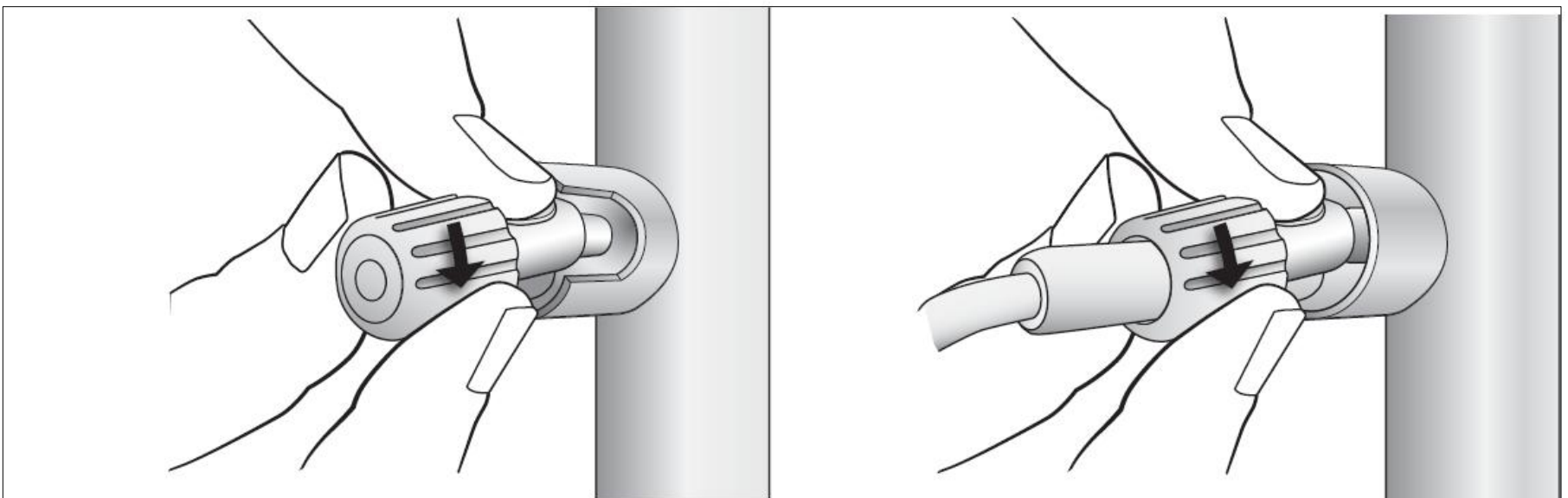
The heated towel rail should be mounted vertically with the cord exiting from the base; it should be positioned at least 600mm above the floor.

Recommended mounting procedures

1. Select the method of cord entry required – whether exposed or concealed.



2. Select which side of the towel rail needs to be wired in. Depending on the location of existing wiring through or on the wall you can decide which side you will use.



Recommended mounting procedures (cntd)

3. Select a desired position to mount the towel rail i.e. at least 600mm above the floor and 300mm away from all permanent objects in the surrounding area.
4. Using a pencil, draw around the end of each tube to mark their positions on the wall ensuring that the rail is square on the wall.
5. Screw the mounting inserts securely to the wall at the locations marked.
6. Press the towel rail onto the mounting inserts gradually, checking that each leg is lined up with the mounting inserts before applying force.
7. Mount the towel rail with a single grub screw on each of the 4 brackets as shown in the drawing.

Safety information

As with any electrical appliance, you should be aware of basic safety precautions when using this heated towel rail. Please read these instructions, and file them for future reference:

- Because this appliance gets hot, young children and infirm people should be closely supervised when nearby. Do not let young children treat the towel rail as a toy.
- Special purpose tools are required for the replacement of the power supply cord and element.
- Be aware that the towel rail will get slightly hotter than normal during warmer weather and when insulated by towels.
- The rail should NOT be used for anything other than its intended use.
- Do not put the towels or anything else which has been in contact with hazardous liquids on this towel rail.
- Use this appliance only on the voltage specified on the rating label.
- Electrical work to be performed by a registered electrician.
- Do NOT immerse the towel rail in any liquid.
- Make sure the supply cord never touches heated surfaces.
- Ensure that the towel rail is wiped down from time to time with a damp cloth and a stainless steel cleaner. Do not use any abrasives or corrosive cleaners.
- If the electrical cord or connection is damaged DO NOT attempt to repair; please contact the supplier.

WARNING: DO NOT install towel rails in areas which may be subjected to saturation of water resulting in ingress of moisture. It is recommended that all units are protected via a R.C.D(Residual Current Device) circuit.

Operation:

It will take about ¾ hour to heat up to the desired temperature and can, if desired, be left running constantly.

Specifications

Code	HTR 680 x 450 - ROUND	HTR 800 x 600 - ROUND	HTR 800 x 600C – ROUND CURVED
Height	680mm	800mm	800mm
Width	450mm	600mm	600mm
Depth	120mm	120mm	120mm
Bars	6	7	7
Electrical			
Wattage	55W	100W	100W
Supply 230-240V ~ 50Hz, single phase Class 1 – requires earth connection.			



For all enquiries please contact

Warmup PLC
702 Tudor Estate
Abbey Road, London NW10 7UW – UK

Warmup Ireland

Web: www.warmup.ie
Email: ie@warmup.com
Telephone: 1 800 937 429